

Gorgiel ... in warm atmosphere



ALTUS HH2

INFORMATION CARD

PREMIUM LINE

KEY FEATURES

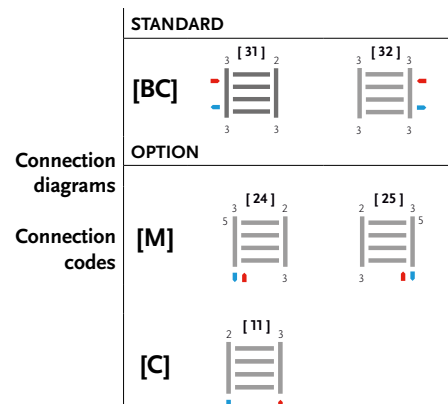
- Wide dimension range
- High heat output performance
- Unique design and realization
- Modern design
- Easy assembly
- No visible brackets
- Esthetic cover included
- Universal 50 mm middle connection - option
- Radiator compatible with EN 442
- Quality control at every production stage
- Guarantee of quality



Top cover included in set with radiator

Supplied as standard in white colour with connection 31/32 with top cover included. Valves shown in the photo are optional and charged separately. SEE RECOMMENDED

Type:	AHH2 - double horizontal radiator
Material:	Low carbon steel
Construction:	Pipe profile 70 x 11 Collector Ø 32
Work pressure:	Up to 0,4 MPa (4 bar)
Work temperature:	Up to 95°C
Standard equipment:	Premium plug 1/2" Premium air vent 1/2" Radiator bracket D 112
Standard finishing:	Standard white colour [01]
Connection:	Internal thread 1/2"

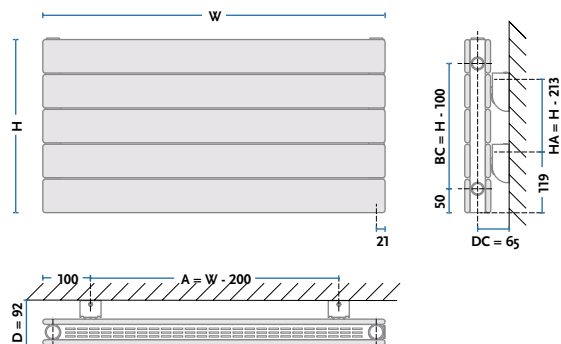


2 - air vent 1/2"
3 - plug 1/2"
5 - thermostatic valve M30 x 1,5 for thermostatic head

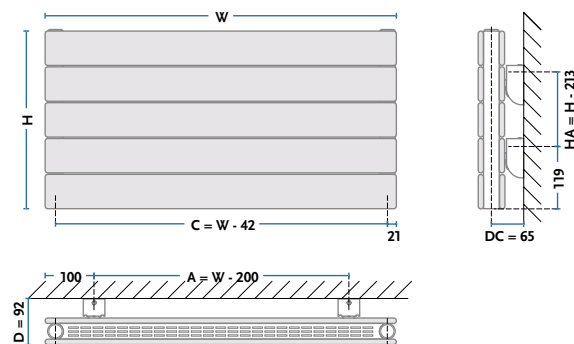
RECOMMENDED ACCESSORIES

	<p>50 mm SET valve For radiators with connection [24] [25] cut off valve with thermostatic head in set in radiator colour</p>	
	<p>SMARTY 1 For radiators with connection [31] [32] complete set of supply and return valves with thermostatic head in radiator colours.</p>	

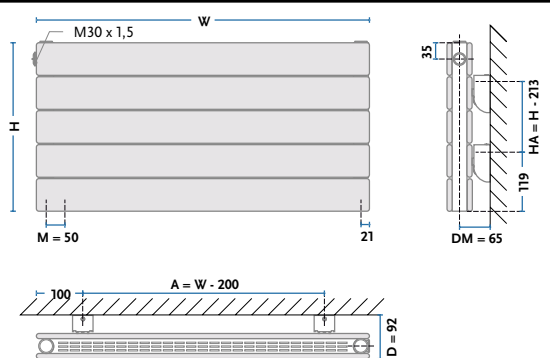
[31] / [32] - połączenie 180°



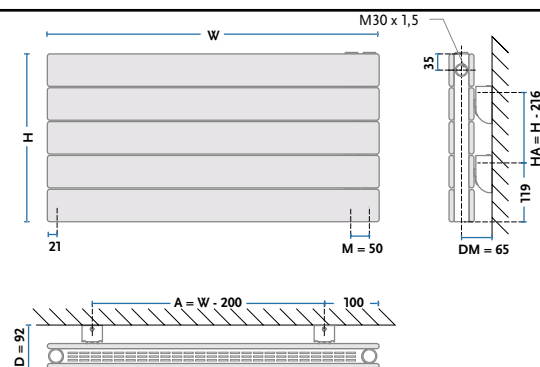
[11]



[24]



[25]



H - height; W - width; D - depth; A - brackets spacing - width; M - connection spacing; C - connection spacing
 HA - brackets spacing - height; DC - distance wall connection axis; DM - distance wall connection axis

		Width [W]				Width [W]				Width [W]			
		400 (40)	600 (60)	800 (80)	1000 (100)	1200 (120)	1400 (140)	1600 (160)	1800 (180)	2000 (200)	2200 (220)	2400 (240)	
Height [H] 289 (30)	Pipe qty. 4	Typ AHH2 30/ 40	AHH2 30/ 60	AHH2 30/ 80	AHH2 30/100	AHH2 30/120	AHH2 30/140	AHH2 30/160	AHH2 30/180	AHH2 30/200	AHH2 30/220	AHH2 30/240	
		75/65/20°C	228	325	417	506	593	678	761	844	925	1004	1083
		55/45/20°C	120	173	223	271	319	365	411	456	501	544	588
		INDEKS	10142035203101	10142035243101	10142035283101	10142035323101	10142035363101	10142035403101	10142035443101	10142035483101	10142035523101	10142035563101	10142035603101
Height [H] 362 (40)	Pipe qty. 5	Typ AHH2 40/ 40	AHH2 40/ 60	AHH2 40/ 80	AHH2 40/100	AHH2 40/120	AHH2 40/140	AHH2 40/160	AHH2 40/180	AHH2 40/200	AHH2 40/220	AHH2 40/240	
		75/65/20°C	274	390	501	608	712	814	914	1013	1110	1206	1301
		55/45/20°C	144	207	267	325	382	438	492	547	599	653	705
		INDEKS	10142035643101	10142035683101	10142035723101	10142035763101	10142035803101	10142035843101	10142035883101	10142035923101	10142035963101	10142036003101	10142036043101
Height [H] 435 (45)	Pipe qty. 6	Typ AHH2 45/ 40	AHH2 45/ 60	AHH2 45/ 80	AHH2 45/100	AHH2 45/120	AHH2 45/140	AHH2 45/160	AHH2 45/180	AHH2 45/200	AHH2 45/220	AHH2 45/240	
		75/65/20°C	319	453	582	707	828	947	1063	1178	1291	1402	1512
		55/45/20°C	167	239	309	377	443	508	572	635	697	758	819
		INDEKS	10142036083101	10142036123101	10142036163101	10142036203101	10142036243101	10142036283101	10142036323101	10142036363101	10142036403101	10142036443101	10142036483101
Height [H] 508 (50)	Pipe qty. 7	Typ AHH2 50/ 40	AHH2 50/ 60	AHH2 50/ 80	AHH2 50/100	AHH2 50/120	AHH2 50/140	AHH2 50/160	AHH2 50/180	AHH2 50/200	AHH2 50/220	AHH2 50/240	
		75/65/20°C	362	516	662	804	942	1077	1209	1339	1468	1595	1720
		55/45/20°C	189	272	351	428	503	577	649	721	792	862	931
		INDEKS	10142036523101	10142036563101	10142036603101	10142036643101	10142036683101	10142036723101	10142036763101	10142036803101	10142036843101	10142036883101	10142036923101
Height [H] 581 (60)	Pipe qty. 8	Typ AHH2 60/ 40	AHH2 60/ 60	AHH2 60/ 80	AHH2 60/100	AHH2 60/120	AHH2 60/140	AHH2 60/160	AHH2 60/180	AHH2 60/200	AHH2 60/220	AHH2 60/240	
		75/65/20°C	406	577	741	900	1054	1205	1353	1499	1643	1785	1925
		55/45/20°C	212	304	392	478	562	645	726	806	885	964	1041
		INDEKS	10142036963101	10142037003101	10142037043101	10142037083101	10142037123101	10142037163101	10142037203101	10142037243101	10142037283101	10142037323101	10142037363101
Height [H] 654 (65)	Pipe qty. 9	Typ AHH2 65/ 40	AHH2 65/ 60	AHH2 65/ 80	AHH2 65/100	AHH2 65/120	AHH2 65/140	AHH2 65/160	AHH2 65/180	AHH2 65/200	AHH2 65/220	AHH2 65/240	
		75/65/20°C	448	638	819	994	1165	1332	1496	1657	1816	1973	2128
		55/45/20°C	233	335	433	528	621	712	802	891	978	1065	1151
		INDEKS	10142037403101	10142037443101	10142037483101	10142037523101	10142037563101	10142037603101	10142037643101	10142037683101	10142037723101	10142037763101	10142037803101
Height [H] 727 (70)	Pipe qty. 10	Typ AHH2 70/ 40	AHH2 70/ 60	AHH2 70/ 80	AHH2 70/100	AHH2 70/120	AHH2 70/140	AHH2 70/160	AHH2 70/180	AHH2 70/200	AHH2 70/220	AHH2 70/240	
		75/65/20°C	491	698	897	1088	1275	1458	1637	1814	1988	2160	2329
		55/45/20°C	255	366	473	577	679	779	878	975	1071	1166	1260
		INDEKS	10142037843101	10142037883101	10142037923101	10142037963101	10142038003101	10142038043101	10142038083101	10142038123101	10142038163101	10142038203101	10142038243101
Height [H] 800 (80)	Pipe qty. 11	Typ AHH2 80/ 40	AHH2 80/ 60	AHH2 80/ 80	AHH2 80/100	AHH2 80/120	AHH2 80/140	AHH2 80/160	AHH2 80/180	AHH2 80/200	AHH2 80/220	AHH2 80/240	
		75/65/20°C	533	758	974	1182	1385	1585	1778	1970	2159	2346	2530
		55/45/20°C	276	397	513	626	737	847	953	1059	1163	1267	1369
		INDEKS	10142038283101	10142038323101	10142038363101	10142038403101	10142038443101	10142038483101	10142038523101	10142038563101	10142038603101	10142038643101	10142038683101
Height [H] 873 (90)	Pipe qty. 12	Typ AHH2 90/ 40	AHH2 90/ 60	AHH2 90/ 80	AHH2 90/100	AHH2 90/120	AHH2 90/140	AHH2 90/160	AHH2 90/180	AHH2 90/200	AHH2 90/220		
		75/65/20°C	575	818	1051	1276	1495	1709	1919	2126	2330	2532	
		55/45/20°C	297	428	553	676	796	913	1029	1143	1256	1368	
		INDEKS	10142038723101	10142038763101	10142038803101	10142038843101	10142038883101	10142038923101	10142038963101	10142039003101	10142039043101	10142039083101	
Height [H] 945 (95)	Pipe qty. 13	Typ AHH2 95/ 40	AHH2 95/ 60	AHH2 95/ 80	AHH2 95/100	AHH2 95/120	AHH2 95/140	AHH2 95/160	AHH2 95/180	AHH2 95/200			
		75/65/20°C	618	878	1128	1370	1605	1835	2060	2282	2501		
		55/45/20°C	319	458	594	725	854	980	1104	1227	1349		
		INDEKS	10142039163101	10142039203101	10142039243101	10142039283101	10142039323101	10142039363101	10142039403101	10142039443101	10142039483101		
Height [H] 1019 (100)	Pipe qty. 14	Typ AHH2 100/ 40	AHH2 100/ 60	AHH2 100/ 80	AHH2 100/100	AHH2 100/120	AHH2 100/140	AHH2 100/160	AHH2 100/180				
		75/65/20°C	660	939	1205	1463	1715	1960	2201	2438			
		55/45/20°C	340	490	634	774	912	1047	1180	1312			
		INDEKS	10142039603101	10142039643101	10142039683101	10142039723101	10142039763101	10142039803101	10142039843101	10142039883101			
Height [H] 1092 (110)	Pipe qty. 15	Typ AHH2 110/ 40	AHH2 110/ 60	AHH2 110/ 80	AHH2 110/100								
		75/65/20°C	702	999	1283	1557							
		55/45/20°C	361	521	674	824							
		INDEKS	10142040043101	10142040083101	10142040123101	10142040163101							



GORGIEL GROUP GORGIEL PLUS Sp. zo.o. Sp.k.
(dawniej GORGIEL GROUP Sp. z o.o.)

Karpicko, 64-200 Wolsztyn
ul. Poznańska 10

tel. +48 68 347 54 00
fax + 48 68 347 54 50
gorgiel@gorgiel.com.pl



gorgiel.pl